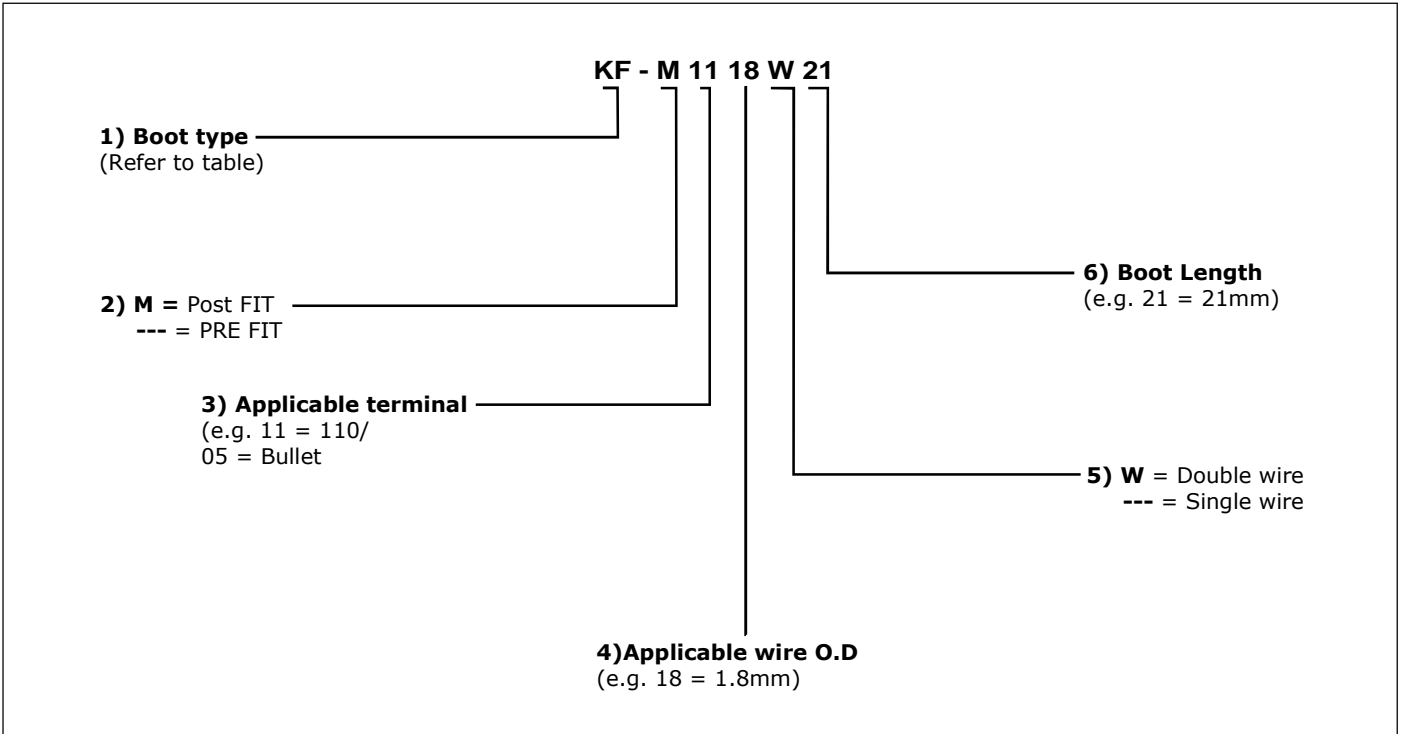




# INSULATION SLEEVES

## Model number identification



### Boot Type

Part Name	KF/KFH/KFO	KFF/KFFH/KFFO	KP/KPH/KPO	KS/KSH/KSO
Applicable Terminals	STRAIGHT Terminals (e.g. STO)	FLAG Terminals (e.g. SFO)	MALE BULLET Terminals (e.g. SGM)	FEMALE BULLET Terminals (e.g. SGF)

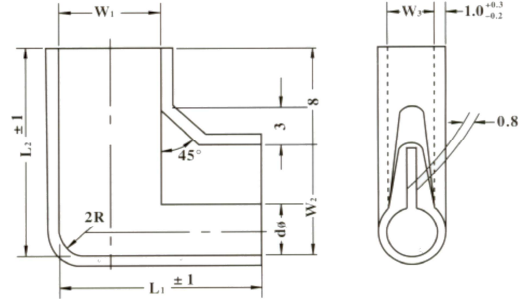
### Material Data

Part Name	KF/KFF/KS/KP	KFH/KFFH/KSH/KPH	KFO/KFFO/KSO/KPO
Material Type	PVC SH-108VT	PVC X-731TJ	PVC No. 4
Burn Rate	JIS K7201	UL94V-2	UL94V-0
Max. Voltage Rating	300 V	600 V	600 V
Temperature Range	-40℃ ~ 60℃	-30℃ ~ 105℃	-30℃ ~ 60℃
Max. Voltage	17.1 KV	13.7 KV	25.8 KV
Durability (10KV)	3.00 Seconds	3.00 Seconds	12.00 Seconds
Max. Elongation	400%	310%	220%
Harness (Durometer A Type)	63 ~ 65	63 ~ 65	67 ~ 70
UL Card No.	E64155 (S)	E64155 (S)	E64155 (S)



# INSULATION SLEEVES

## Flag Type <KFF-M Version>

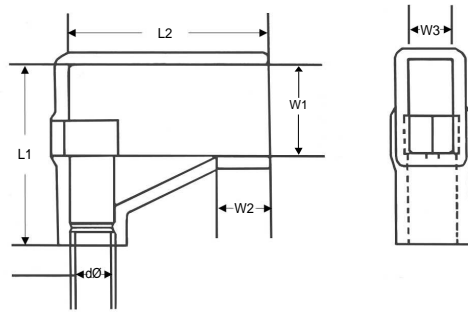


E64155 (S)

Model No.	Dimensions(mm)						Wire O.D. (mm)
	d1Ø	W1	W2	W3	L1	L2	
KFF-M1830	3.0	5.7	6	2.3	16+/-1	17+/-1	~
KFF-M2540	4.0	8	9	3.5	16+/-1	17+/-1	~

Note: 1) Delivery lead times may vary depending on the product. Contact JST for details, these products are ONLY available from the following JST affiliates: J.S.T. (U.K.) Ltd, J.S.T. Belgium N.V., J.S.T. India Liaison Office, and JST-SouthAfrica.com.  
 2) In line with a policy of continual product development, JST reserves the right to change the specifications of the goods described in the catalogue At any time and without prior notice.

## Flag Type <KFF-187 Version>



E64155 (S)

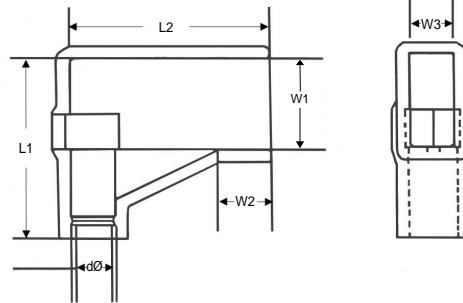
Model No.	Dimensions(mm)						Wire O.D. (mm)
	d1Ø	W1	W2	W3	L1	L2	
KFF-182517	2.5	5.7	~	2.3	14+/-1	17+/-1	~
KFF-183217	3.2	5.7	~	2.3	14+/-1	17+/-1	~

Note: 1) Delivery lead times may vary depending on the product. Contact JST for details, these products are ONLY available from the following JST affiliates: J.S.T. (U.K.) Ltd, J.S.T. Belgium N.V., J.S.T. India Liaison Office, and JST-SouthAfrica.com.  
 2) In line with a policy of continual product development, JST reserves the right to change the specifications of the goods described in the catalogue At any time and without prior notice.



# INSULATION SLEEVES

## Flag Type <KFF-250 Version>



E64155 (S)

Model No.	Dimensions(mm)						Wire O.D. (mm)
	dØ	W1	W2	W3	L1	L2	
KFF-252517	2.5	8	4.5	3.5	16+/-1	17+/-1	2.0~2.4
KFF-253017	3.0	8	4.5	3.5	16+/-1	17+/-1	~
KFF-253217	3.2	8	4.5	3.5	16+/-1	17+/-1	2.5~3.1
KFF-253817	3.8	8	4.5	3.5	16+/-1	17+/-1	3.2~3.7
KFF-254017	4.0	8	~	3.5	16+/-1	17+/-1	~
KFF-254817	4.8	8	4.5	3.5	16+/-1	17+/-1	3.8~4.7

Note: 1) Delivery lead times may vary depending on the product. Contact JST for details, these products are ONLY available from the following JST affiliates: J.S.T. (U.K.) Ltd, J.S.T. Belgium N.V., J.S.T. India Liaison Office, and JST-SouthAfrica.com.  
 2) In line with a policy of continual product development, JST reserves the right to change the specifications of the goods described in the catalogue At any time and without prior notice.